



Horizontal Fold Platform

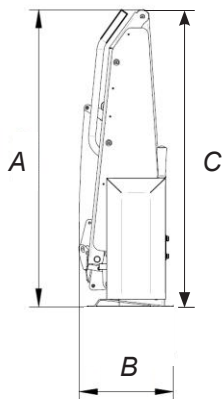
The automatic HF Range, has reduced dimensions and weight and has been conceived for small vehicles to transport persons.

Technical Features

MAXIMUM CAPACITY	320Kg/705lb
WEIGHT	110Kg/242.5lb
POWER	12v - 24v
MAX PRESSURE	140 Bar
LIFTING HEIGHT	920 mm/36.2"
SPEED UP FULL CHARGE	5m/min
SPEED DOWN FULL CHARGE	4m/min
ADA COMPLIANT	

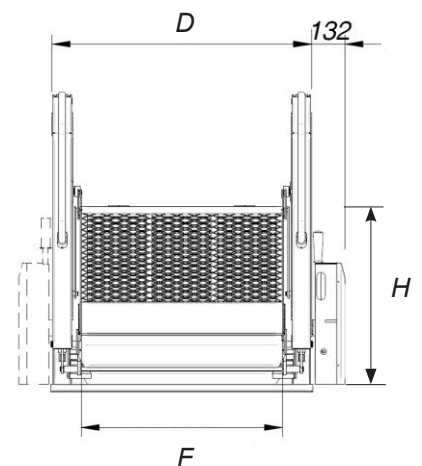
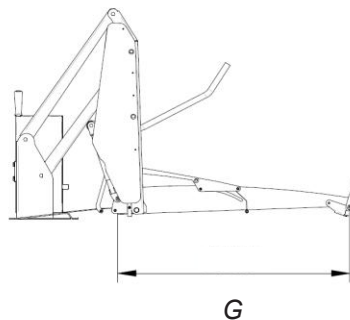
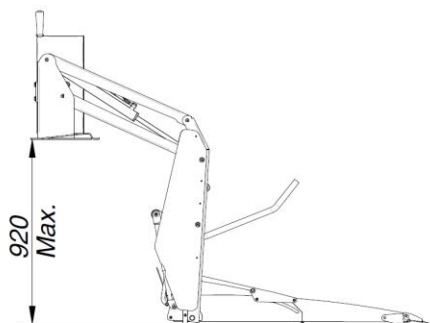
Safety Devices

- Switch to detach battery with key.
- Manual operation in case of emergency.
- Automatic safety ramp to stop the wheelchair.
- Roll-over control device with pressure switch.
- Anti-slip platform.



Vehicles

Citroen Jumpy, Fiat Doblo XL, Fiat Scudo, Ford Tourneo Custom, Mercedes Vito Kombi, Peugeot Expert, Renault Traffic, Volkswagen California, Volkswagen Transporter.



	A		B		C		D		E		F		G	
	MM	INCH	MM	INCH	MM	INCH	MM	INCH	MM	INCH	MM	INCH	MM	INCH
HF 73115	*1130	44.5	370	14.5	*1130	44.5	960	38	1100	43.3	730	28.8	1150	45.2
HF 80115	1227	48.3	370	14.5	1180	46.5	1030	40.5	1162	45.7	800	31.5	1150	45.2
HF 80125	1227	48.3	370	14.5	1180	46.5	1030	40.5	1162	45.7	800	31.5	1250	49.2
HF 80140	1227	48.3	370	14.5	1180	46.5	1030	40.5	1162	45.7	800	31.5	1400	55
HF 90140	1227	48.3	370	14.5	1180	46.5	1030	40.5	1262	49.7	900	35.4	1400	55
HF 80146	1227	48.3	370	14.5	1180	46.5	1030	40.5	1162	45.7	800	31.5	1460	57.5
HF 90146	1227	48.3	370	14.5	1180	46.5	1030	40.5	1262	49.7	900	35.4	1460	57.5